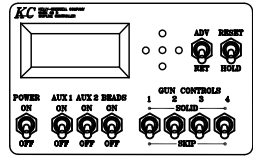
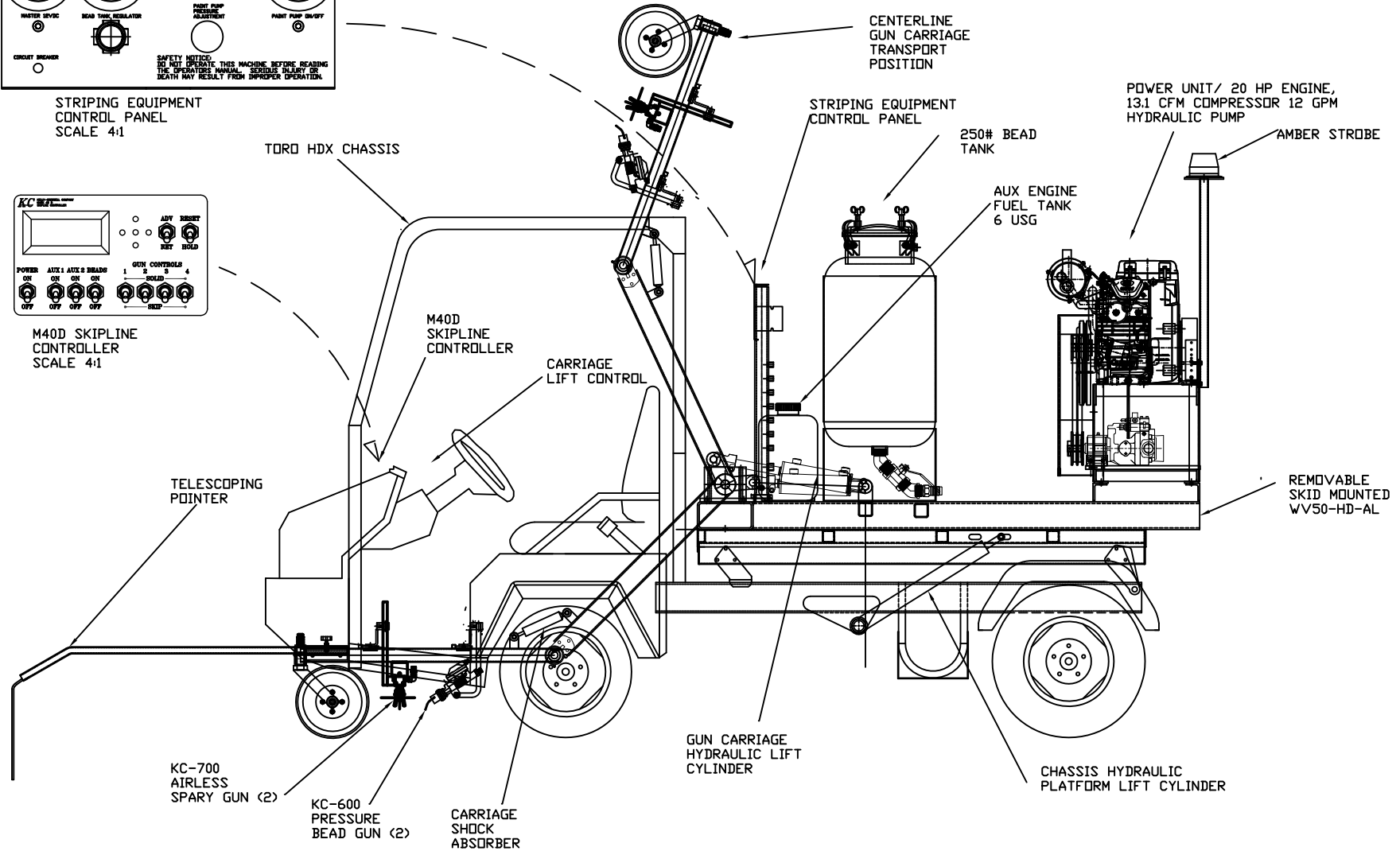


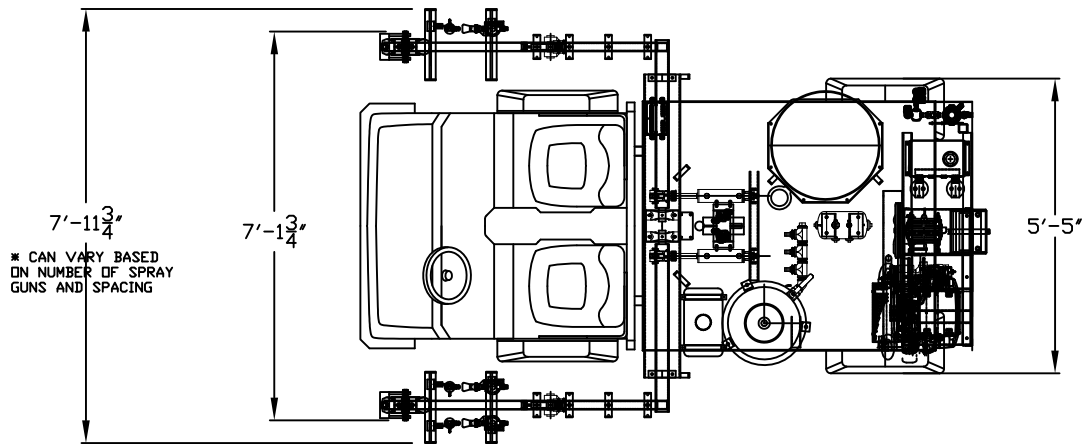
STRIPING EQUIPMENT  
CONTROL PANEL  
SCALE 4:1



M40D SKIPLINE  
CONTROLLER  
SCALE 4:1



TOLERANCES UNLESS OTHERWISE SPECIFIED: Angular $\pm 2^\circ$ Fractional $\pm 1/16"$ .X = $\pm 1$ .XX = $\pm 0.01$ .XXX = $\pm 0.005$ .XXXX = $\pm 0.0015$	CONFIDENTIAL THIS DOCUMENT, INCLUDING ALL INFORMATION HEREIN, IS THE EXCLUSIVE AND CONFIDENTIAL PROPERTY OF ERNEST INDUSTRIES. THEREFORE THIS DOCUMENT IS NOT TO BE COPIED, REPRODUCED, OR DELIVERED TO OTHERS WITHOUT THE EXPRESS WRITTEN PERMISSION OF ERNEST INDUSTRIES.	Kelly-Creswell 1221 Groop Rd. Springfield, OH 45504 937-325-3978 Since 1937		TITLE: <b>WV-50HD-AL INTERMEDIATE</b>	
		DESCRIPTION: <b>GENERAL LAYOUT DRIVER SIDE</b>		DWG NO./PART NO. <b>WV-50HD-AL</b>	
DRAWN BY <b>TH</b>	DATE <b>02/09/18</b>	SCALE: <b>1:1</b>	SIZE: <b>Size</b>	PAGE #: <b>1 OF 4</b>	REV: <b>B</b>



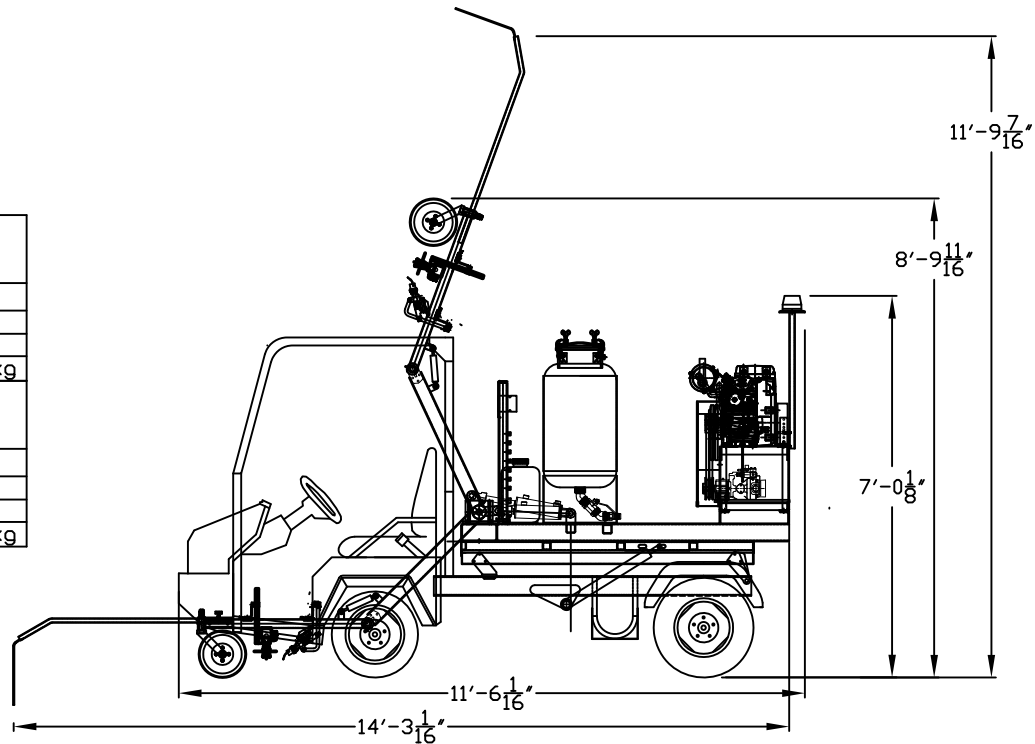
SHIPPING DIMENSIONS  
(POINTER REMOVED)

□AL:	11'6"	3.5 m
□AW	8'	2.4 m
HEIGHT	7'1"	2.2 m
EST. WEIGHT	2,800 LB	1,270 kg

SHIPPING DIMENSIONS  
(CONTAINERIZED SHIPMENT)

□AL:	11'6"	3.5 m
□AW	7'2"*	2.2 m
HEIGHT	7'1"	2.2 m
EST. WEIGHT	3,500 LB	1,590 kg

\* GUN BARS REMOVED



TOLERANCES UNLESS OTHERWISE SPECIFIED:  
 Angular ±2°  
 Fractional ±1/16"  
 .X= ±.1  
 .XX=±.01  
 .XXX=±.005  
 .XXXX=±.0015

CONFIDENTIAL  
 THIS DOCUMENT, INCLUDING ALL INFORMATION HEREIN, IS THE EXCLUSIVE AND CONFIDENTIAL PROPERTY OF ERNEST INDUSTRIES. THEREFORE THIS DOCUMENT IS NOT TO BE COPIED, REPRODUCED, OR DELIVERED TO OTHERS WITHOUT THE EXPRESS WRITTEN PERMISSION OF ERNEST INDUSTRIES.

Kelly-Creswell  
 1221 Groop Rd.  
 Springfield, OH 45504  
 937-325-3978



DRAWN BY	DATE
TH	02/09/18
APPROVED BY	DATE APPROVED

TITLE:  
 WV-50HD-AL INTERMEDIATE

DESCRIPTION:  
 GENERAL DIMENSIONS

DWG NO./PART NO.	PAGE #:	REV:
WV-50HD-AL	4 OF 4	B
SCALE:	SIZE:	
1:1	Size	