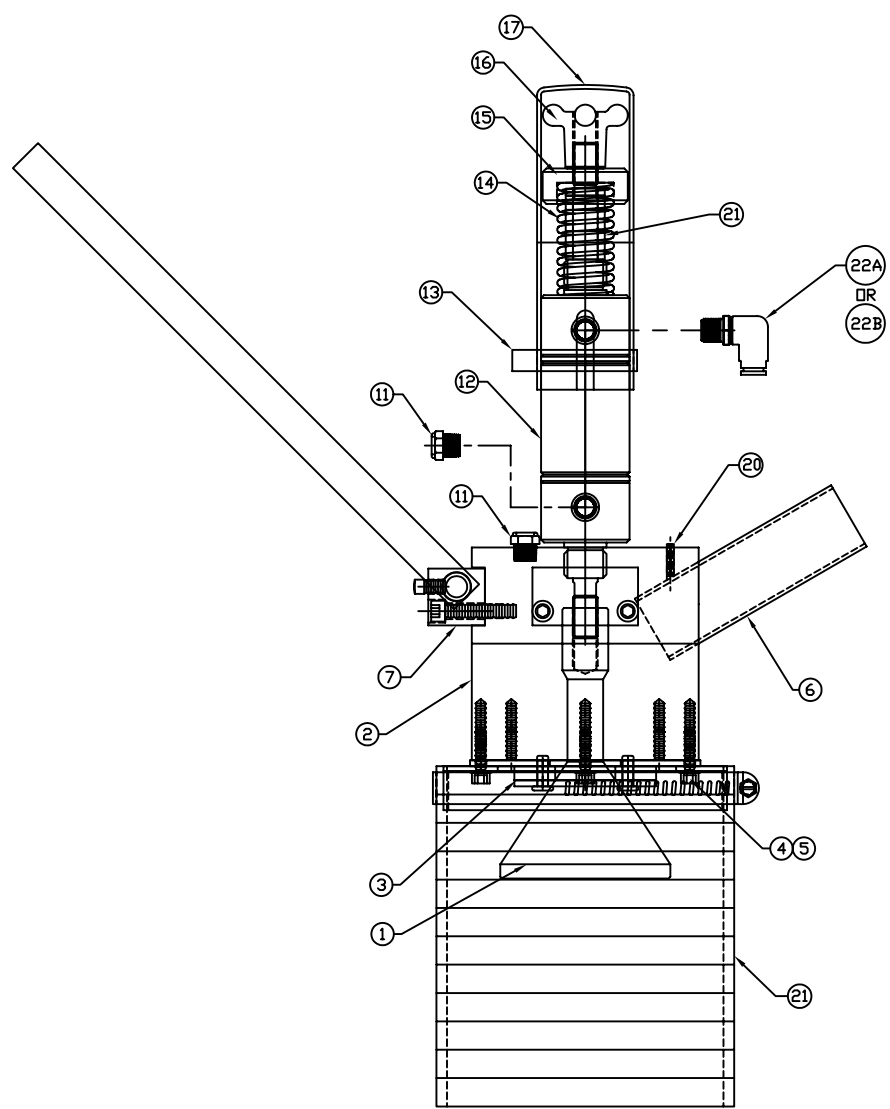
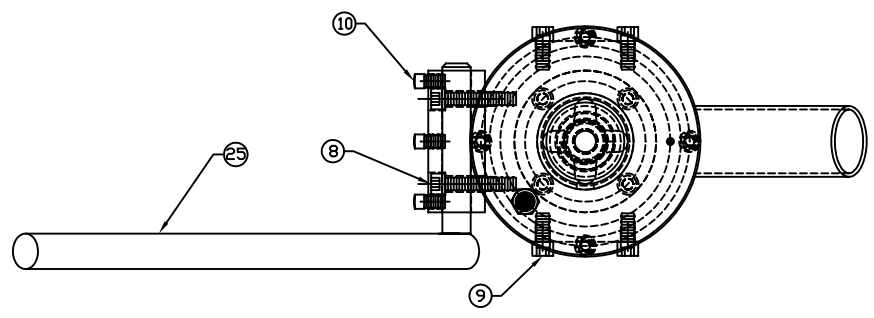


GUN CONFIGURATIONS	
PART #	DESCRIPTION
KCNL-900-4	NIGHTLINER W/ 4" SHROUD
KCNL-900-5	NIGHTLINER W/ 5" SHROUD
KCNL-900-6	NIGHTLINER W/ 6" SHROUD
KCNL-900-8	NIGHTLINER W/ 8" SHROUD



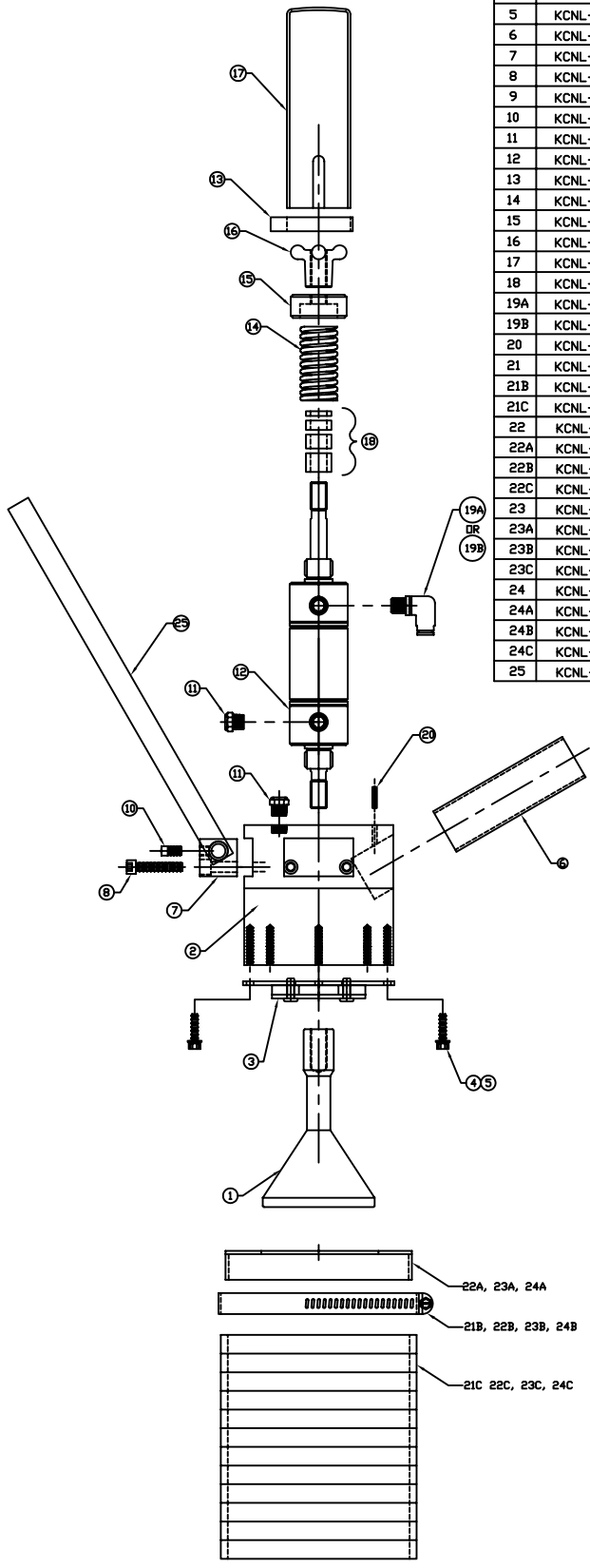
TOLERANCES UNLESS OTHERWISE SPECIFIED:
 Angular $\pm 2^\circ$
 Fractional $\pm 1/16"$
 .X = ± 1
 .XX = ± 0.01
 .XXX = ± 0.005
 .XXXX = ± 0.0015

CONFIDENTIAL
 THIS DOCUMENT, INCLUDING ALL INFORMATION HEREIN, IS THE EXCLUSIVE AND CONFIDENTIAL PROPERTY OF ERNEST INDUSTRIES. THEREFORE THIS DOCUMENT IS NOT TO BE COPIED, REPRODUCED, OR DELIVERED TO OTHERS WITHOUT THE EXPRESS WRITTEN PERMISSION OF ERNEST INDUSTRIES.

Kelly-Creswell
 1221 Groop Rd.
 Springfield, OH 45504
 937-325-3978
KC Since 1937

DRAWN BY: TLB
 DATE: 5/7/09
 APPROVED BY: _____
 DATE APPROVED: _____

TITLE: KC NIGHTLINER
 DESCRIPTION: NIGHTLINER GUN ASSEMBLY
 DWG NO./PART NO.: KCNL-900
 SCALE: NA SIZE: B PAGE #: 1-2 REV: A



ITEM	PART #	QTY.	PG. #	DESCRIPTION
1	KCNL-901	1	PG. 3	CONE ASSEMBLY
2	KCNL-902	1	PG. 4	GUN BODY
3	KCNL-903	1	PG. 5	BOTTOM GROMMET ASSEMBLY
4	KCNL-904	4	PG. #	SCHNDR SAFETY WASHER, 1/4"
5	KCNL-905	4	PG. #	SDCKET CAP SCREW, 10-24 X 1/2" LONG
6	KCNL-906	1	PG. 9	FEED TUBE, 1-1/4" OD X 1-1/8" ID TUBE 304 SS X 4" LONG
7	KCNL-907	1	PG. 7	MOUNTING BLOCK
8	KCNL-908	2	PG. #	SDCKET CAP SCREW, 1/4-20 X 1-1/4" LONG
9	KCNL-909	4	PG. #	SDCKET CAP SCREW, 1/4-20 X 1/2" LONG
10	KCNL-910	3	PG. #	SQ HEAD SET SCREW, 1/4-20 X 3/8" LONG
11	KCNL-911	2	PG. #	AIR VENT
12	KCNL-912	1	PG. #	AIR CYLINDER
13	KCNL-913	1	PG. #	CLAMP, COVER, TOP ASSEMBLY
14	KCNL-914	1	PG. #	SPRING
15	KCNL-915	1	PG. 10	ADJUSTING KNOB
16	KCNL-916	1	PG. #	LOCKING KNOB
17	KCNL-917	1	PG. #	COVER, TOP
18	KCNL-918	1	PG. 8	NEEDLE STOP SHIMS
19A	KCNL-919-1	1	PG. #	HOSE FITTING, 1/8" NPT X 1/4" HOSE
19B	KCNL-919-2	1	PG. #	HOSE FITTING, 1/8" NPT X 3/8" HOSE
20	KCNL-920	1	PG. #	ROLLED PIN, 1/8" DIA X 9/16" LG
21	KCNL-921	1	PG. 11	4" SHROUD ADAPTER KIT - CLAMP & RUBBER BOOT
21B	KCNL-921B	1	PG. 11	CLAMP, HOSE
21C	KCNL-921C	1	PG. 11	RUBBER BOOT
22	KCNL-922	1	PG. 13	5" SHROUD ADAPTER KIT - CLAMP, RUBBER BOOT, & ADAPTOR
22A	KCNL-922A	1	PG. 13	ADAPTOR PLATE, 5" SHROUD
22B	KCNL-922B	1	PG. 13	CLAMP, HOSE, 5" SHROUD
22C	KCNL-922C	1	PG. 13	RUBBER BOOT, 5" SHROUD
23	KCNL-923	1	PG. 15	6" SHROUD ADAPTER KIT - CLAMP, RUBBER BOOT, & ADAPTOR
23A	KCNL-923A	1	PG. 15	ADAPTOR PLATE, 6" SHROUD
23B	KCNL-923B	1	PG. 15	CLAMP, HOSE, 6" SHROUD
23C	KCNL-923C	1	PG. 15	RUBBER BOOT, 6" SHROUD
24	KCNL-924	1	PG. 17	8" SHROUD ADAPTER KIT - CLAMP, RUBBER BOOT, & ADAPTOR
24A	KCNL-924A	1	PG. 17	ADAPTOR PLATE, 8" SHROUD
24B	KCNL-924B	1	PG. 17	CLAMP, HOSE, 8" SHROUD
24C	KCNL-924C	1	PG. 17	RUBBER BOOT, 8" SHROUD
25	KCNL-925	1	PG. 12	GUN HANGER POST

TOLERANCES UNLESS OTHERWISE SPECIFIED:
 Angular ±2°
 Fractional ±1/16"
 .X= ±.1
 .XX=±.01
 .XXX=±.005
 .XXXX=±.0015

CONFIDENTIAL
 THIS DOCUMENT, INCLUDING ALL INFORMATION HEREIN, IS THE EXCLUSIVE AND CONFIDENTIAL PROPERTY OF ERNEST INDUSTRIES. THEREFORE THIS DOCUMENT IS NOT TO BE COPIED, REPRODUCED, OR DELIVERED TO OTHERS WITHOUT THE EXPRESS WRITTEN PERMISSION OF ERNEST INDUSTRIES.

Kelly-Creswell
 1221 Groop Rd.
 Springfield, OH 45504
 937-325-3978
KC Since 1937

DRAWN BY: TLB
 DATE: 05/07/09
 APPROVED BY: [Signature]
 DATE APPROVED: [Signature]

TITLE:
KC NIGHTLINER
 DESCRIPTION:
 NIGHTLINER GUN, EXPLODED

DWG NO./PART NO.
 KCNL-900

SCALE: NA SIZE: B PAGE #: 2-2 REV: A