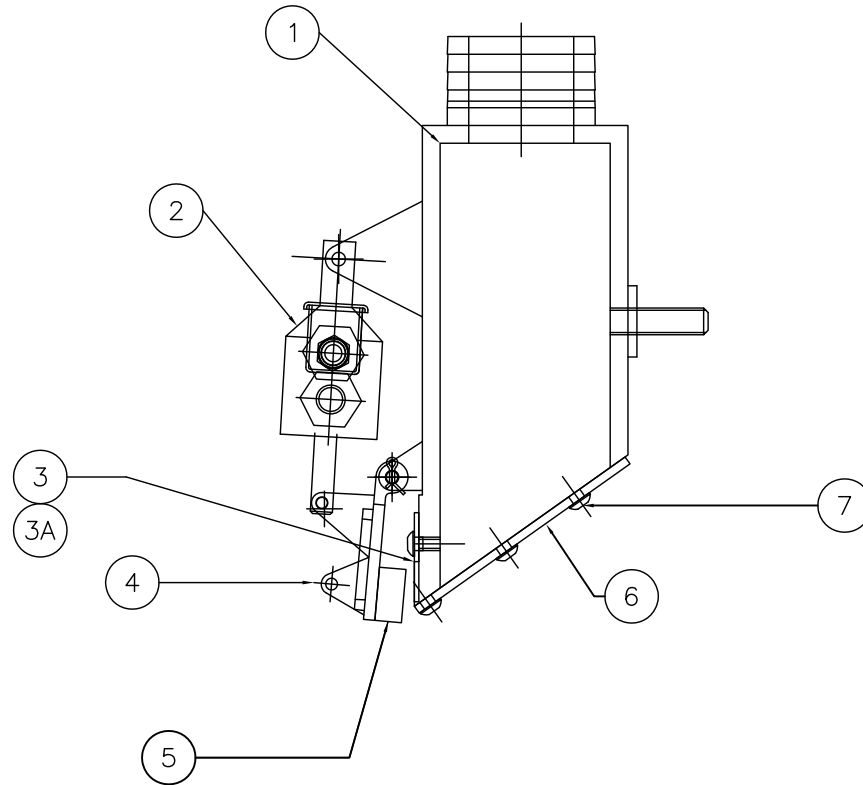
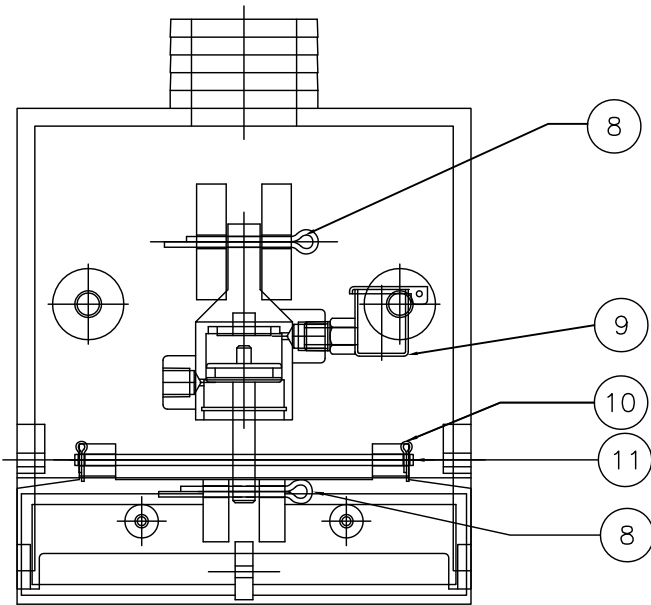


ITEM	QTY	PART NO	DESCRIPTION
		FF6	BEAD DISPENSER 6", COMPLETE
1	1	FF6-B	FF6, BODY
2	1	7004	CYLINDER, AIR, FF BEAD DISPENSERS
3	1	7000-6F	PLATE, ADJUSTABLE, FF6
3A	1	7000-6F4	4" ADJ. PLATE FF6 DISPENSER
4	1	7000-6C	GATE, FF6
5	1	7000-6D	GASKET, FF6 DISPENSER
6	1	7000-6B	BOTTOM PLATE, FF6 DISPENSER
7	10	32318	SCREW 8-32 X .5" SELF TAP
8	2	7000-14	COTTER PIN, 5/32" X 1/2"
9	1	7013	OIL CUP WITH FELT
10	2	7000-15	COTTER PIN, .071" X .5"
11	1	7000-6E	HINGE PIN, FF6



TOLERANCES UNLESS OTHERWISE SPECIFIED:
 Angular $\pm 2^\circ$
 Fractional $\pm 1/16"$
 .X = ± 1
 .XX = ± 0.1
 .XXX = ± 0.005
 .XXXX = ± 0.0015

CONFIDENTIAL
 THIS DOCUMENT, INCLUDING ALL INFORMATION HEREIN, IS THE EXCLUSIVE AND CONFIDENTIAL PROPERTY OF ERNEST INDUSTRIES. THEREFORE THIS DOCUMENT IS NOT TO BE COPIED, REPRODUCED, OR DELIVERED TO OTHERS WITHOUT THE EXPRESS WRITTEN PERMISSION OF ERNEST INDUSTRIES.

Kelly-Creswell
 1221 Groop Rd.
 Springfield, OH 45504
 937-372-9221
 Since 1937

TITLE:
GRAVITY BEAD DISPENSER, 6"
 DESCRIPTION:
6" BEAD DISPENSER

DRAWN BY CDW	DATE 8-4-10	DWG NO./PART NO. FF6 A			
APPROVED BY	DATE APPROVED	SCALE: NA	SIZE: NA	PAGE #: 1-2	REV: A