

TOLERANCES UNLESS OTHERWISE SPECIFIED:  
 Angular  $\pm 2^\circ$   
 Fractional  $\pm 1/16"$   
 .X =  $\pm 1$   
 .XX =  $\pm 0.01$   
 .XXX =  $\pm 0.005$   
 .XXXX =  $\pm 0.0015$

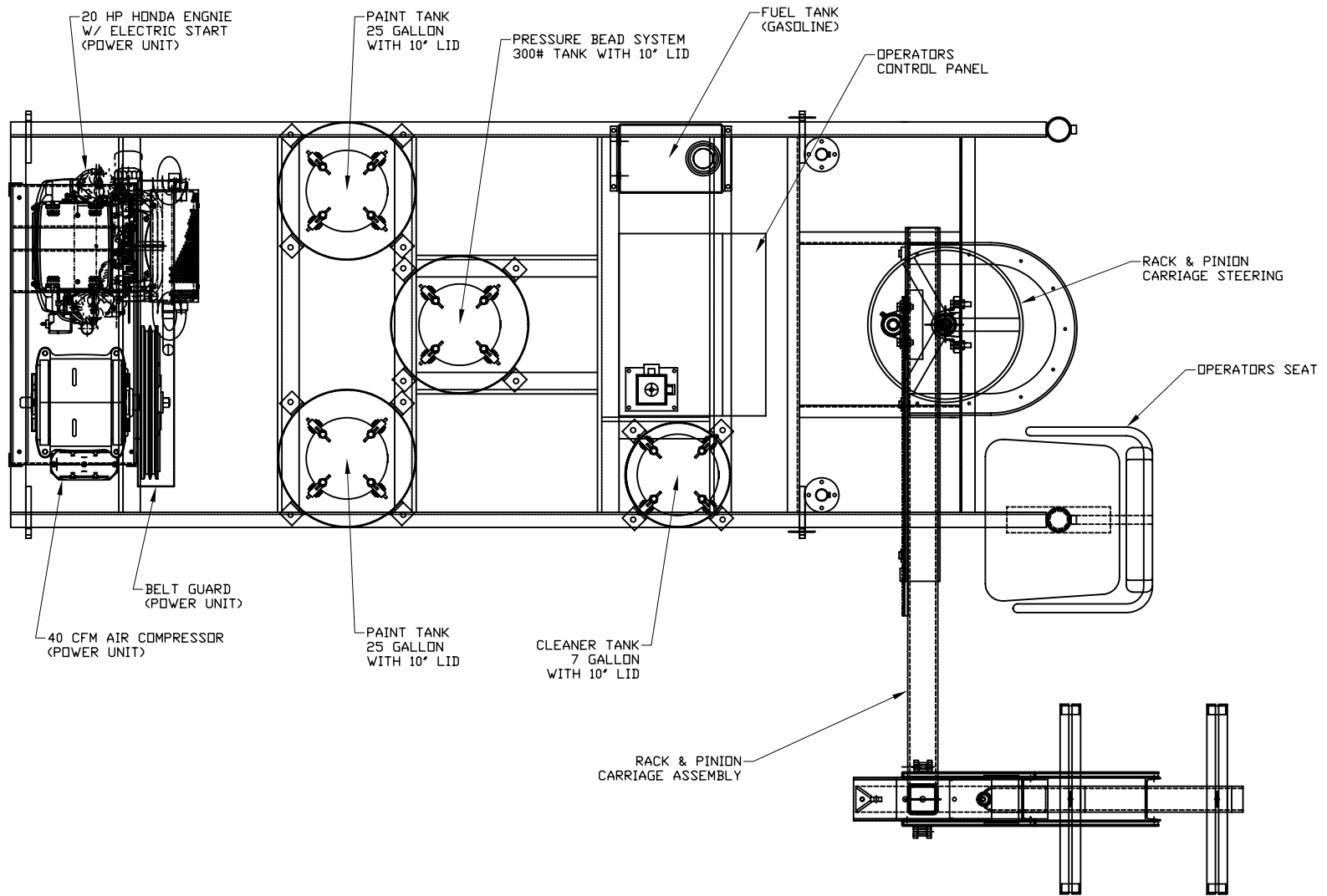
CONFIDENTIAL  
 THIS DOCUMENT, INCLUDING ALL INFORMATION HEREIN, IS THE EXCLUSIVE AND CONFIDENTIAL PROPERTY OF ERNEST INDUSTRIES. THEREFORE THIS DOCUMENT IS NOT TO BE COPIED, REPRODUCED, OR DELIVERED TO OTHERS WITHOUT THE EXPRESS WRITTEN PERMISSION OF ERNEST INDUSTRIES.

Kelly-Creswell  
 1221 Groop Rd.  
 Springfield, OH 45504  
 937-325-3978  
**KC** Since 1937

DRAWN BY  
 TLB  
 APPROVED BY

DATE  
 11-16-10  
 DATE APPROVED

TITLE: <b>2000-AS</b>			
DESCRIPTION: <b>GENERAL DETAILS (TANKS)</b>			
DWG NO./PART NO. <b>SA-2000AS TOP LEVEL</b>			
SCALE: NA	SIZE: A	PAGE #: 1 of 6	REV: ----



TOLERANCES UNLESS OTHERWISE SPECIFIED:  
 Angular  $\pm 2^\circ$   
 Fractional  $\pm 1/16"$   
 .X =  $\pm 1$   
 .XX =  $\pm 0.01$   
 .XXX =  $\pm 0.005$   
 .XXXX =  $\pm 0.0015$

CONFIDENTIAL  
 THIS DOCUMENT, INCLUDING ALL INFORMATION HEREIN, IS THE EXCLUSIVE AND CONFIDENTIAL PROPERTY OF ERNEST INDUSTRIES. THEREFORE THIS DOCUMENT IS NOT TO BE COPIED, REPRODUCED, OR DELIVERED TO OTHERS WITHOUT THE EXPRESS WRITTEN PERMISSION OF ERNEST INDUSTRIES.

Kelly-Creswell  
 1221 Groop Rd.  
 Springfield, OH 45504  
 937-325-3978



DRAWN BY  
 TLB

DATE  
 11-16-10

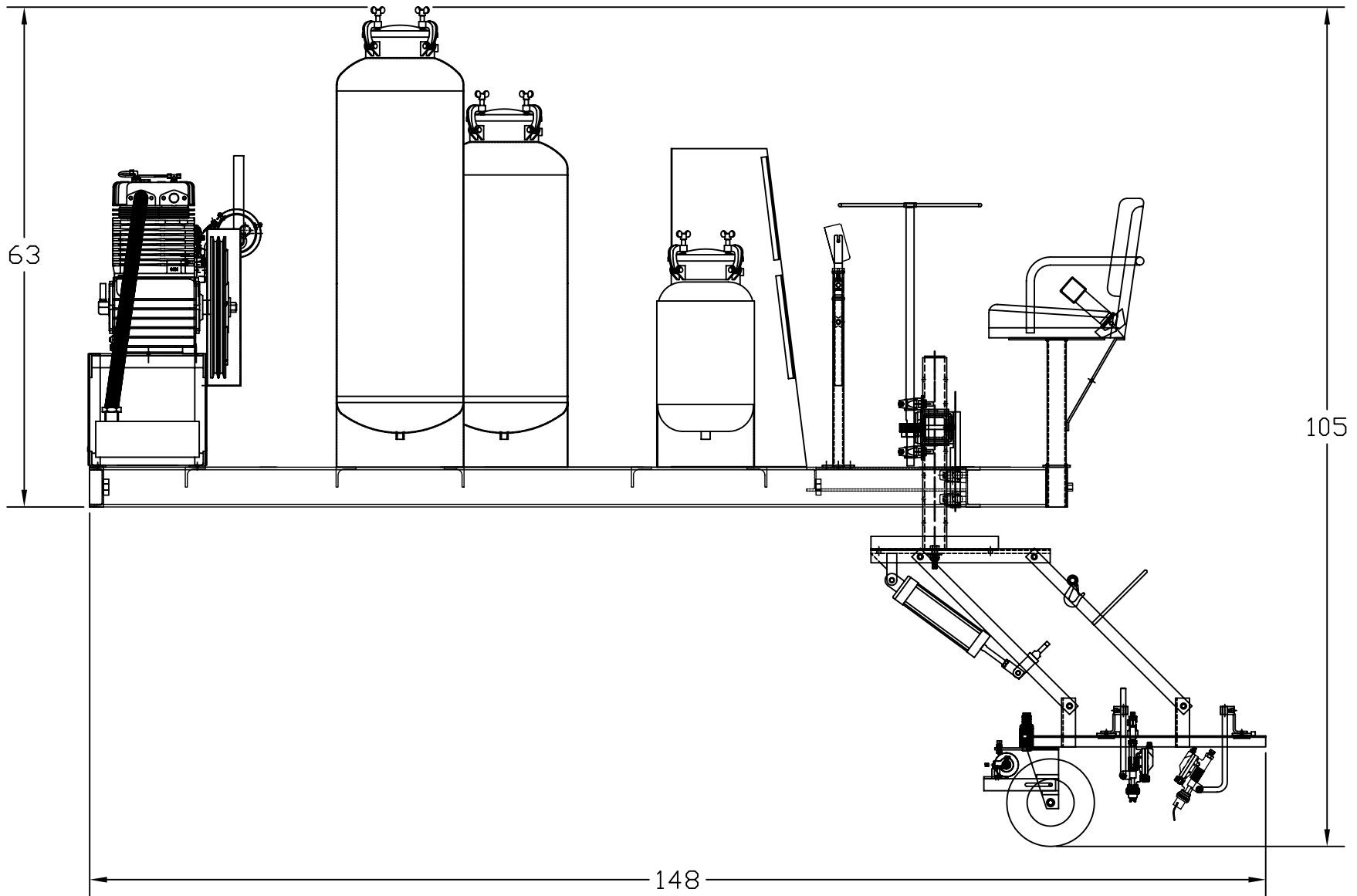
APPROVED BY  
 DATE APPROVED


TITLE:  
 2000-AS

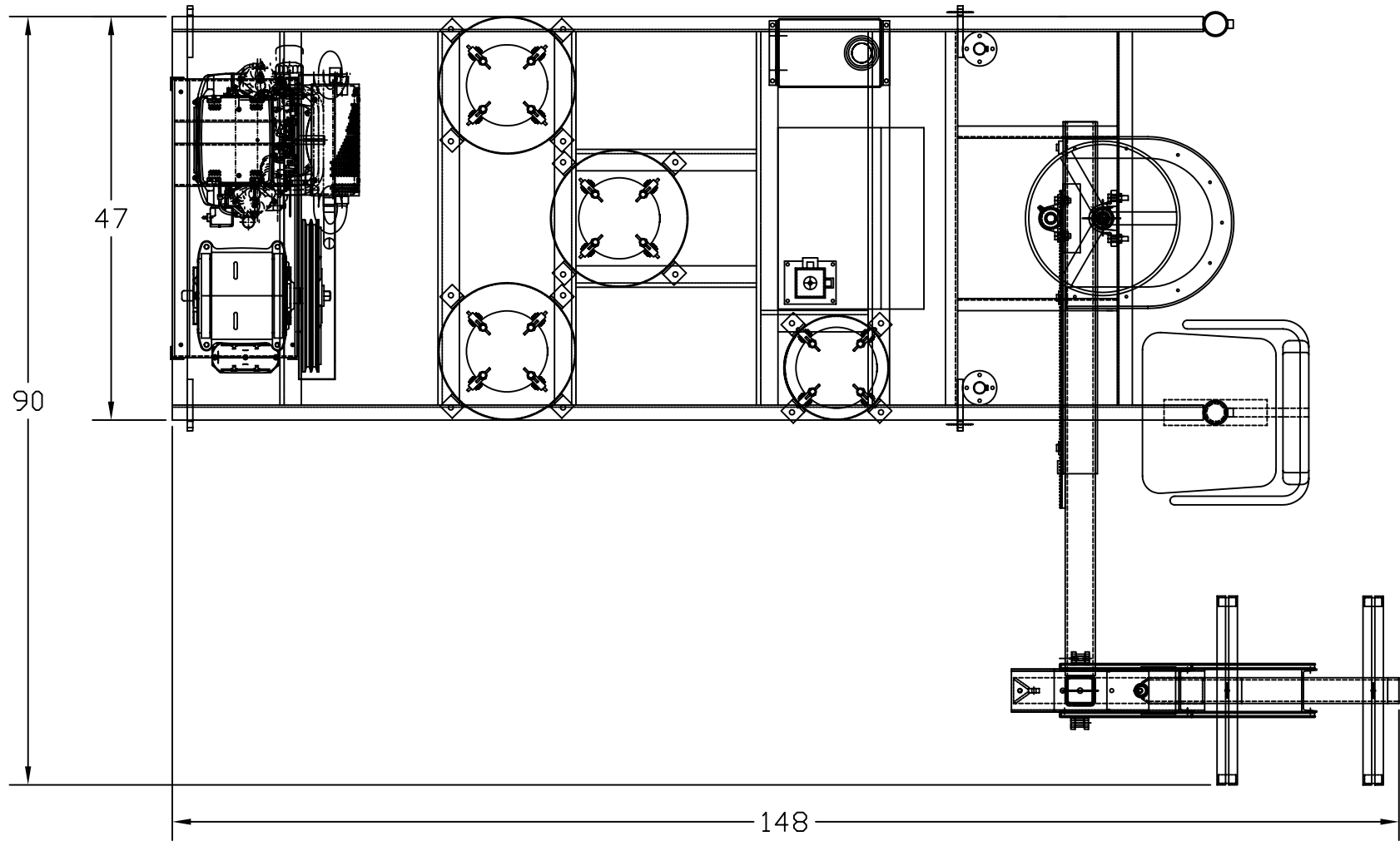
DESCRIPTION:  
 GENERAL DETAILS (TANKS)

DWG NO./PART NO.  
 SA-2000AS TOP LEVEL

SCALE: NA	SIZE: A	PAGE #: 2 of 6	REV: ----
--------------	------------	-------------------	--------------



TOLERANCES UNLESS OTHERWISE SPECIFIED: Angular $\pm 2^\circ$ Fractional $\pm 1/16'$ .X = $\pm 1$ .XX = $\pm 0.1$ .XXX = $\pm 0.005$ .XXXX = $\pm 0.0015$		CONFIDENTIAL THIS DOCUMENT, INCLUDING ALL INFORMATION HEREIN, IS THE EXCLUSIVE AND CONFIDENTIAL PROPERTY OF ERNEST INDUSTRIES. THEREFORE THIS DOCUMENT IS NOT TO BE COPIED, REPRODUCED, OR DELIVERED TO OTHERS WITHOUT THE EXPRESS WRITTEN PERMISSION OF ERNEST INDUSTRIES.		Kelly-Creswell 1221 Groop Rd. Springfield, OH 45504 937-325-3978  Since 1937		TITLE: <b>2000-AS</b>	
				DESCRIPTION: <b>BASIC DIMENSIONS (TANKS)</b>			
				DWG NO./PART NO. <b>SA-2000AS TOP LEVEL</b>			
DRAWN BY <b>TLB</b>	DATE <b>11/16/10</b>	SCALE: <b>N/A</b>	SIZE: <b>A</b>	PAGE #: <b>3 of 6</b>	REV: <b>----</b>		



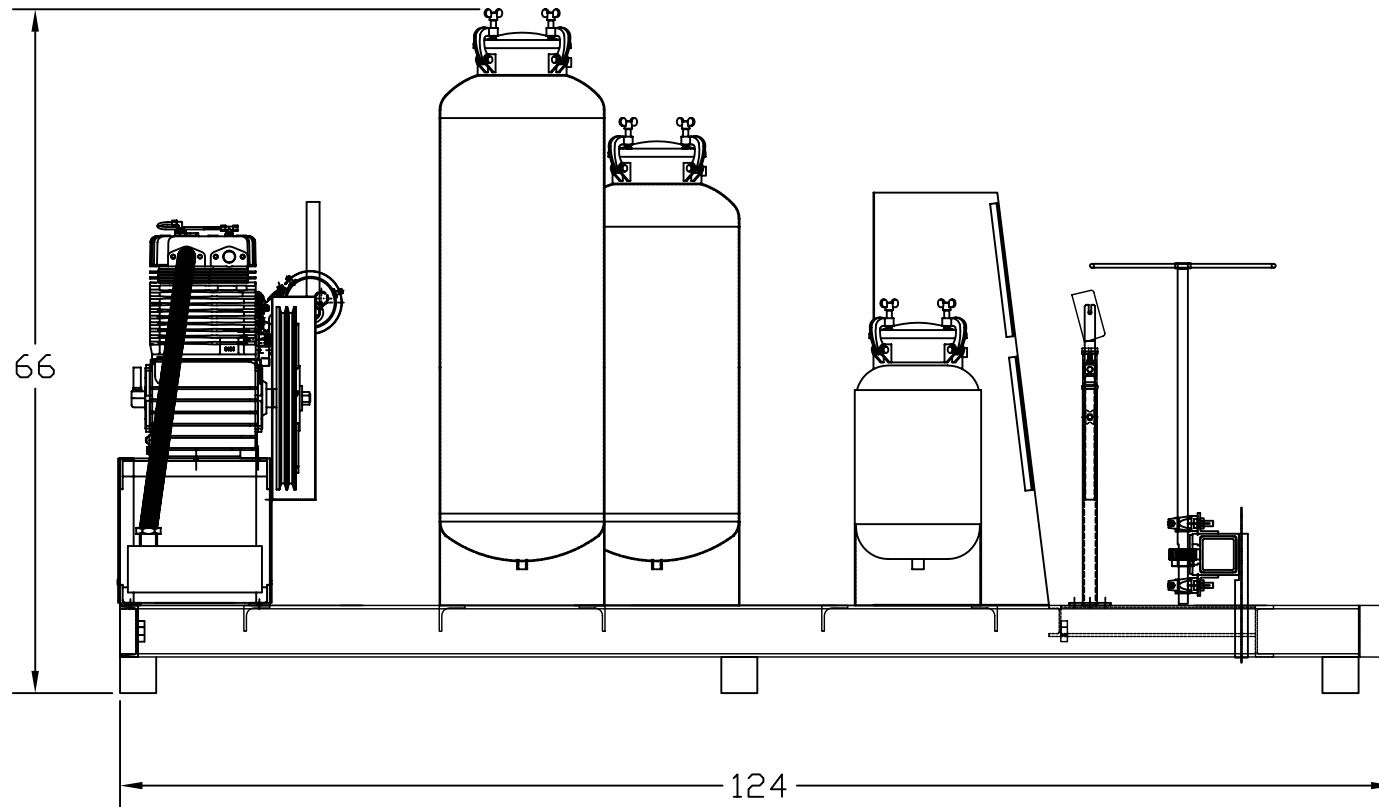
TOLERANCES UNLESS OTHERWISE SPECIFIED:  
 Angular  $\pm 2^\circ$   
 Fractional  $\pm 1/16'$   
 .X =  $\pm 1$   
 .XX =  $\pm 0.1$   
 .XXX =  $\pm 0.005$   
 .XXXX =  $\pm 0.0015$

CONFIDENTIAL  
 THIS DOCUMENT, INCLUDING ALL INFORMATION HEREIN, IS THE EXCLUSIVE AND CONFIDENTIAL PROPERTY OF ERNEST INDUSTRIES. THEREFORE THIS DOCUMENT IS NOT TO BE COPIED, REPRODUCED, OR DELIVERED TO OTHERS WITHOUT THE EXPRESS WRITTEN PERMISSION OF ERNEST INDUSTRIES.

Kelly-Creswell  
 1221 Groop Rd.  
 Springfield, OH 45504  
 937-325-3978  
**KC** Since 1937

DRAWN BY	DATE
TLB	11/16/10
APPROVED BY	DATE APPROVED


TITLE: <b>2000-AS</b>			
DESCRIPTION: <b>BASIC DIMENSIONS (TANKS)</b>			
DWG NO./PART NO. <b>SA-2000AS TOP LEVEL</b>			
SCALE:	SIZE:	PAGE #:	REV:
N/A	A	4 of 6	----

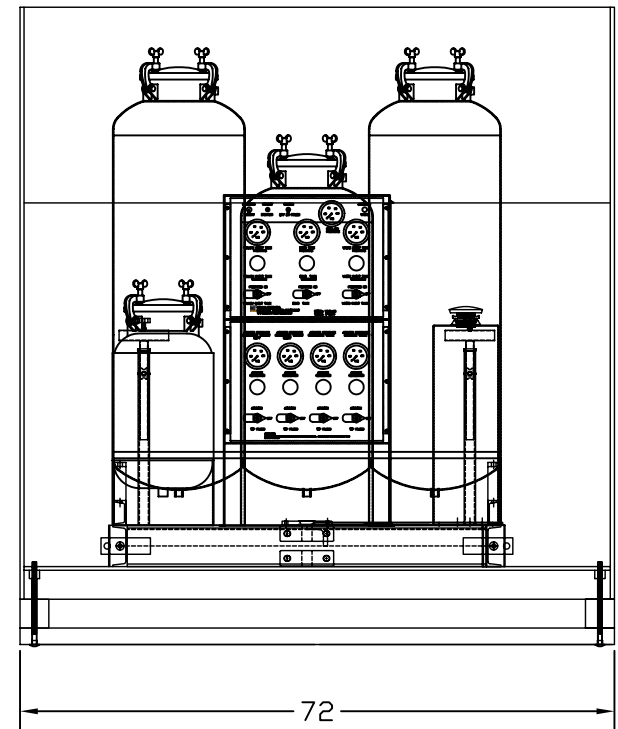
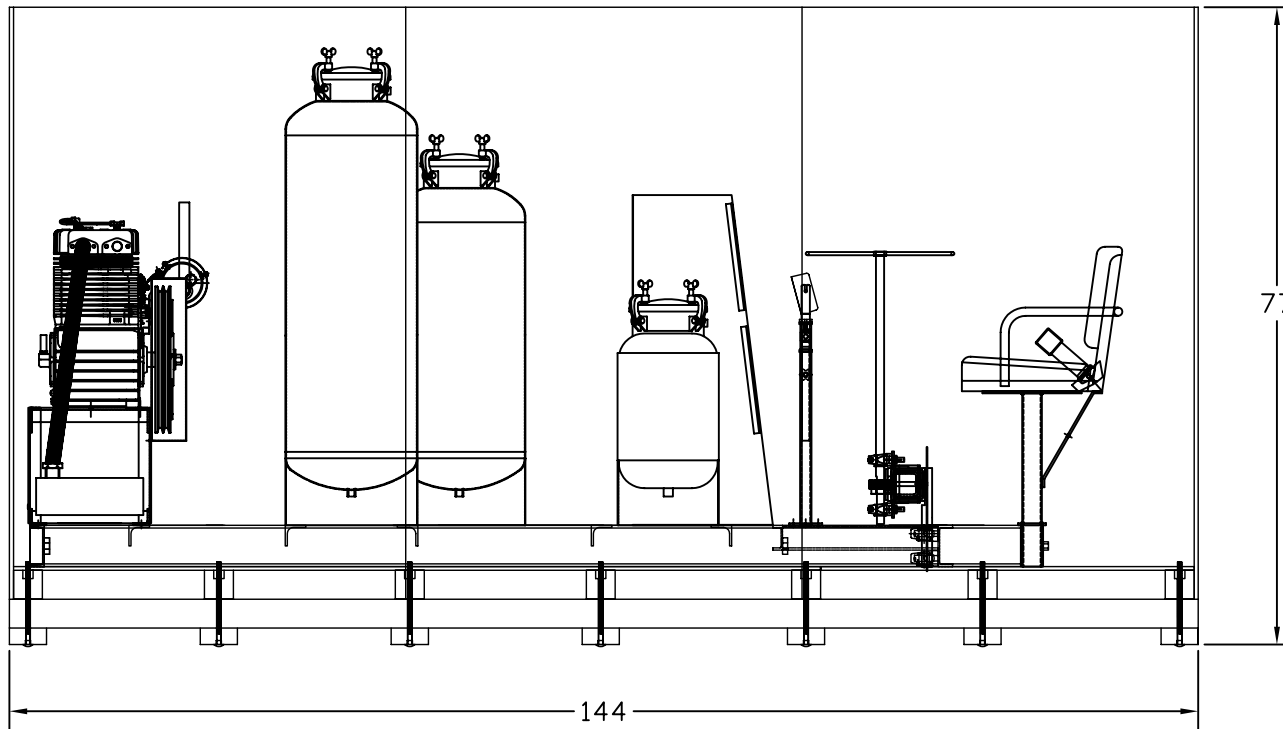


LENGTH (INCHES)	124"
WIDTH (INCHES)	72"
HEIGHT (INCHES)	66"
EST. SHIPPING WEIGHT	2100 LBS

NOTES:

- 1-LTL SHIPMENT WITHIN UNITED STATES SHIPPED ON AN OPEN FLAT DECK TRAILER.
- 2-CARRIAGE ASSEMBLY REMOVED, CUSTOM FITTED, AND BRACED IN AVAILABLE SPACE ON THE UNIT

TOLERANCES UNLESS OTHERWISE SPECIFIED: Angular $\pm 2^\circ$ Fractional $\pm 1/16'$ .X = $\pm 1$ .XX = $\pm 0.1$ .XXX = $\pm 0.005$ .XXXX = $\pm 0.0015$	CONFIDENTIAL THIS DOCUMENT, INCLUDING ALL INFORMATION HEREIN, IS THE EXCLUSIVE AND CONFIDENTIAL PROPERTY OF ERNEST INDUSTRIES. THEREFORE THIS DOCUMENT IS NOT TO BE COPIED, REPRODUCED, OR DELIVERED TO OTHERS WITHOUT THE EXPRESS WRITTEN PERMISSION OF ERNEST INDUSTRIES.	Kelly-Creswell 1221 Groop Rd. Springfield, OH 45504 937-325-3978  Since 1937		TITLE: <b>2000-AS</b>	
		DRAWN BY TLB	DATE 11/16/10	DESCRIPTION: <b>SHIPPING DIMENSIONS (TANKS)</b>	
APPROVED BY	DATE APPROVED	DWG NO./PART NO. SA-2000AS TOP LEVEL	SCALE: N/A	SIZE: A	PAGE #: 5 of 6
					REV: ----



LENGTH (INCHES)	124'
WIDTH (INCHES)	72'
HEIGHT (INCHES)	77'
EST. SHIPPING WEIGHT	2500 LBS
APPROX. CUBIC FEET	398 cu.ft.

NOTES:  
 1-FULLY ENCLOSED EXPORT CRATE OR OPEN FRAME SKID  
 2-CARRIAGE ASSEMBLY REMOVED, CUSTOM FITTED, AND BRACED  
 IN AVAILABLE SPACE IN THE CRATE

TOLERANCES UNLESS OTHERWISE SPECIFIED:  
 Angular  $\pm 2^\circ$   
 Fractional  $\pm 1/16'$   
 .X =  $\pm 1$   
 .XX =  $\pm 0.01$   
 .XXX =  $\pm 0.005$   
 .XXXX =  $\pm 0.0015$

CONFIDENTIAL  
 THIS DOCUMENT, INCLUDING ALL INFORMATION HEREIN, IS THE EXCLUSIVE AND CONFIDENTIAL PROPERTY OF ERNEST INDUSTRIES. THEREFORE THIS DOCUMENT IS NOT TO BE COPIED, REPRODUCED, OR DELIVERED TO OTHERS WITHOUT THE EXPRESS WRITTEN PERMISSION OF ERNEST INDUSTRIES.

Kelly-Creswell  
 1221 Groop Rd.  
 Springfield, OH 45504  
 937-325-3978



DRAWN BY  
 TLB  
 APPROVED BY  
 DATE APPROVED  
 11/16/10

TITLE:  
 2000 SERIES EXPORT CRATE

DESCRIPTION:  
 EXPORT CRATE DIMENSIONS

DWG NO./PART NO.  
 AC-2099 EXPORT CRATING  
 SCALE: N/A  
 SIZE: A  
 PAGE #: 6 of 6  
 REV: ----