



## Binks Model 30 Bead Gun

Binks model 30 automatic glass bead dispensing gun delivers reflective beads at a rate of up to 20 lbs per minute.

On-off of the gun is provided by air cylinder.

No atomization air required.

Bead deflector nozzle directs reflective beads into paint line.

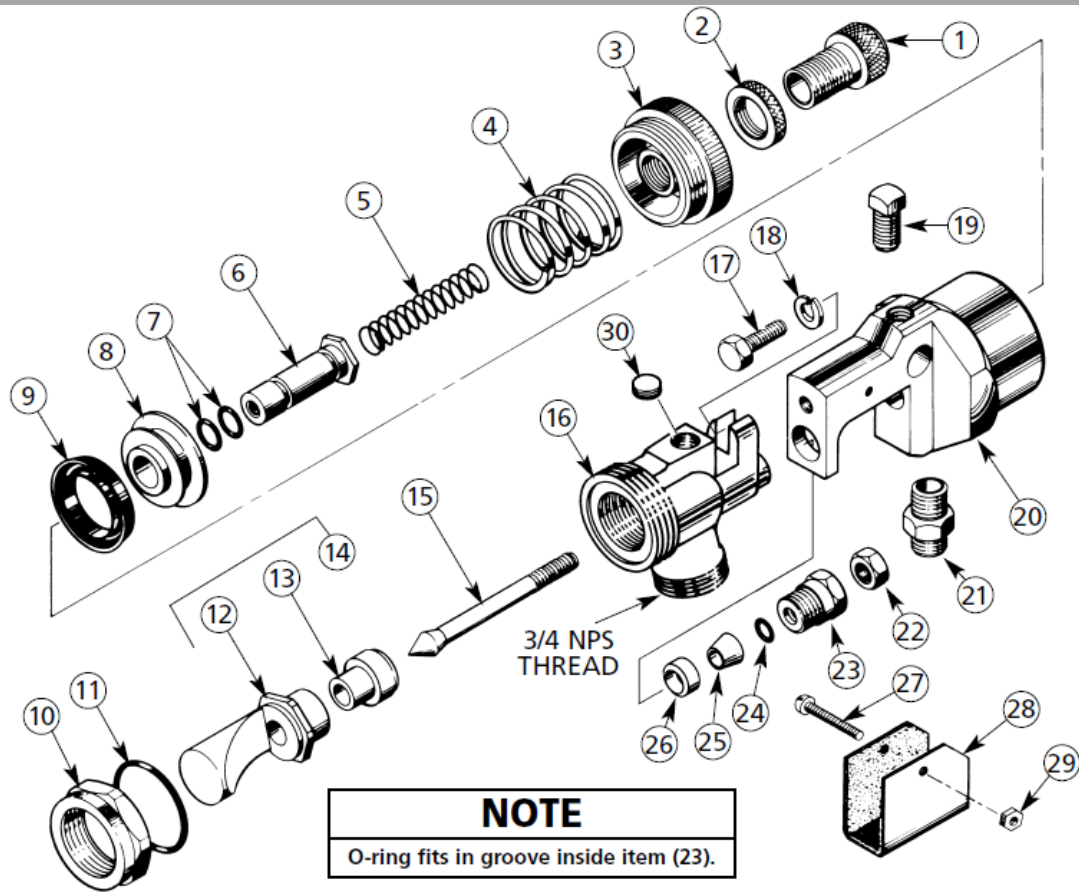
Four nozzle inserts to insure accurate application rates



- 3/4 NPS thread inlet
- Easy to service and maintain.
- Parts, service available from Kelly-Creswell a name that has defined striping since 1937.



# Model 30 Bead Gun



**NOTE**  
O-ring fits in groove inside item (23).

## PARTS LIST

When ordering, please specify Part No.

ITEM NO.	PART NO.	DESCRIPTION	QTY.	ITEM NO.	PART NO.	DESCRIPTION	QTY.
1	54-1195	CONTROL SCREW .....	1	16	54-1208	GUN HEAD .....	1
2	54-323	CONTROL SCREW LOCKNUT .....	1	17	20-783-1	SCREW, HEX HEAD .....	1
3	54-1196	CAP .....	1			1/4"-20 x 5/8" Long .....	1
4	54-236	SPRING .....	1	18	20-1041-1	LOCKWASHER .....	1
5	54-1648▲	SPRING .....	1	19	54-335	MOUNTING SCREW .....	1
6	54-1197	PISTON ROD.....	1	20	54-1194	GUN BODY .....	1
7	20-2369▲	O-RING .....	2	21	57-13	D.M. NIPPLE 1/4" NPS x 1/4" NPT .....	1
8	102-2059	PISTON .....	1	22	20-301-1	HEX NUT 1/4"-20 .....	1
9	20-3723▲	U-CUP.....	1	23	54-1198	SCREW .....	1
10	52-1635	RETAINER RING .....	1	24	20-3620▲	O-RING .....	1
11	20-3829▲	O-RING .....	1	25	54-3114▲*	WIPER.....	1
12	45-102■	DEFLECTION NOZZLE .344" Dia. ....	1	26	54-3113▲*	RETAINER .....	1
13	45-103■	NOZZLE INSERT 7/32" Dia. ....	1	27	20-4827	SCREW, ROUND HEAD .....	1
13	45-104■	NOZZLE INSERT 1/4" Dia. ....	1			6-32 x 1 1/4" Long .....	1
13	45-105■	NOZZLE INSERT 9/32" Dia. ....	1	28	54-1199	GUARD .....	1
13	45-106■	NOZZLE INSERT 11/32" Dia. ....	1	29	20-412-1	NUT 6-32 .....	1
14	45-101	DEFLECTION NOZZLE and INSERT ASSEMBLY .....	1	30	20-2287-1	PIPE PLUG 1/8" NPT SOC Head .....	1
15	47-458	NEEDLE.....	1	—	6-1287	OPTIONAL: 1/2" BIG BORE KIT ....	1

▲ Also available in 6-271 Repair Kit. Please order separately.  
■ Part of 45-101 Assembly.  
\* Also available in 54-3116 Wiper Kit. Please order separately.  
Ref. Only: To convert to 1/2" nozzle, use 6-1287 Kit.



Kelly-Creswell  
1221 Groop Road  
Springfield, Ohio 45504  
Phone 937.325.3978  
Fax 937.325.7067

Visit us n the web  
[www.kellycreswell.com](http://www.kellycreswell.com)  
[sales@kellycreswell.com](mailto:sales@kellycreswell.com)